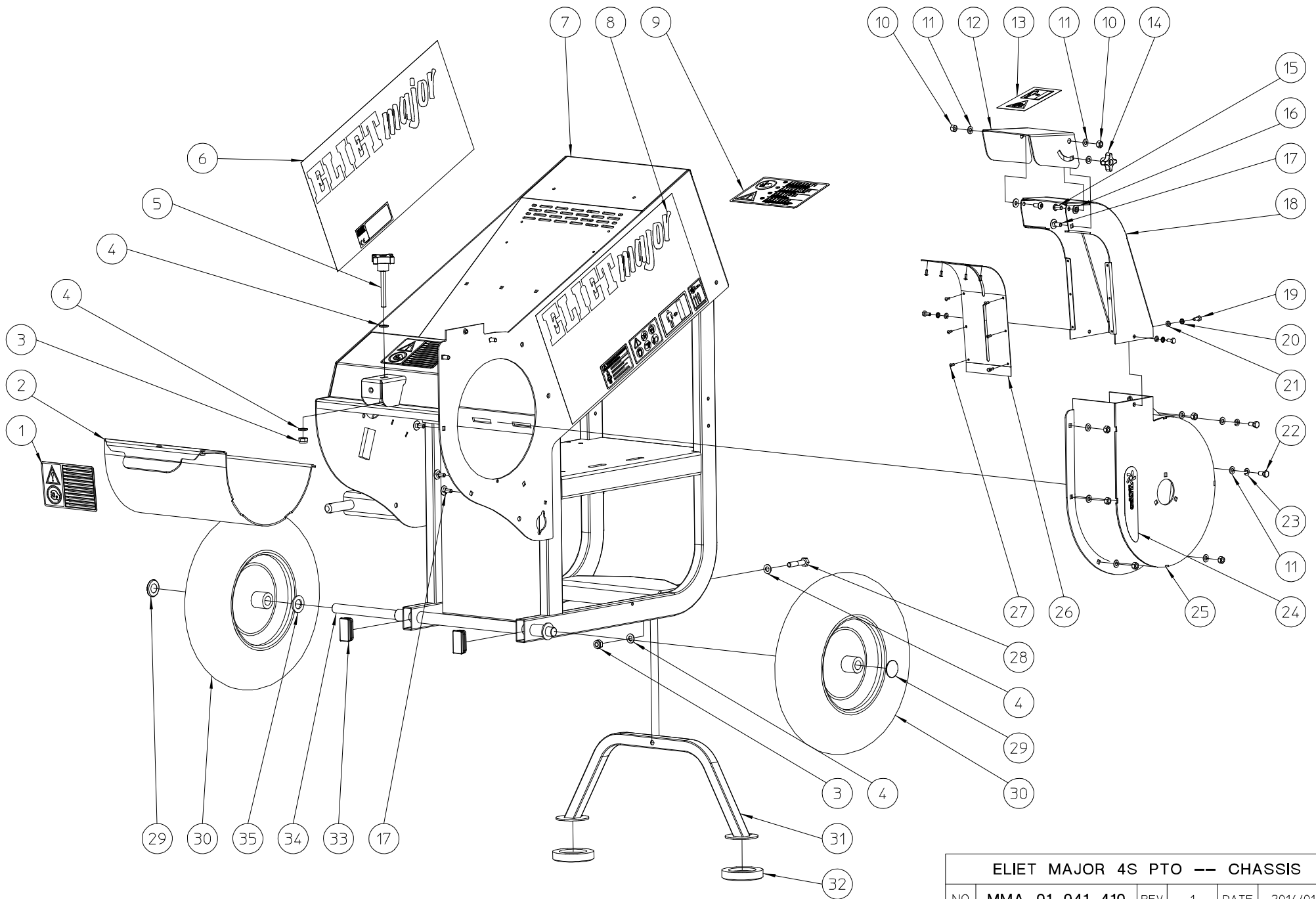


ELIET MAJOR 4S PTO -- GENERAL					
NO	MMA 01 041 400	REV	2	DATE	2014/01/24

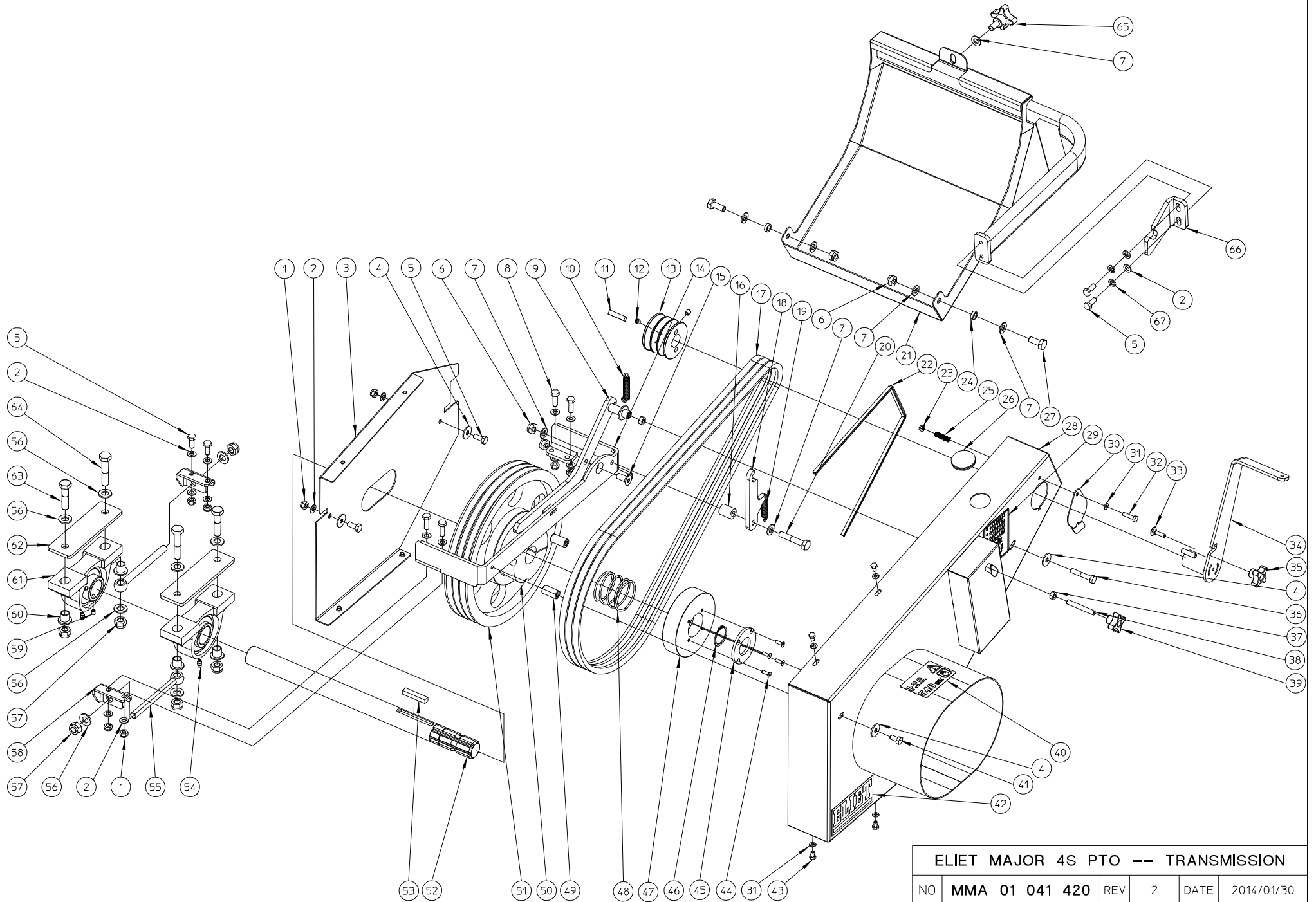
#	Order nr	article description	quantity
1	MMA 01 041 410	chassis	1
2	MMA 01 041 420	transmission	1
3	MMA 01 041 430	machine front side	1
4	MMA 01 041 130	rotor	1



ELIET MAJOR 4S PTO -- CHASSIS

NO	MMA 01 041 410	REV	1	DATE	2014/01/24
----	----------------	-----	---	------	------------

#	Order nr	article description	quantity
1	BQ 505 010 160	safety sticker bolts control 160x60	2
2	MPA 01 041 090	closing rotor major 4s	1
3	BS 502 001 000	self locking nut m10 din 985	2
4	BS 531 001 000	washer m10 din 125	4
5	BN 630 510 480	lob knob Ø60mm - m10x80	1
6	BQ 501 040 040	sticker eliet major 4s (r)	1
7	MPA 01 041 420	chassis major 4s pto	1
8	BQ 501 040 030	sticker eliet major 4s (l)	1
9	BQ 505 010 110	safety sticker 190x125 (in feed)	1
10	BS 502 000 800	self locking nut m8 din 985	7
11	BS 531 000 800	washer m8 din 125	10
12	MPA 01 041 240	directional valves blow chute major 4s	1
13	BQ 505 014 100	safety sticker eject	1
14	BN 630 206 000	lob knob 188-40 m6	1
15	BS 522 500 816	screw m8x16 iso 7380	2
16	BR 112 080 300	nylon bushing with collar (8.2/10.9/18x3.5/1.5)	2
17	BS 554 100 820	bolt m8x20 din 603	6
18	MPA 01 041 080	blow chute major 4s	1
19	BS 512 000 614	bolt m6x14 din 933	3
20	BS 534 000 600	lock washer m6 din 6798a	3
21	BS 531 000 600	washer m6 din 125	3
22	BS 512 000 816	bolt m8x16 din 933	2
23	BS 533 000 800	lock washer m8 din 127b	2
24	BQ 501 010 110	sticker turbo discharge 220x57	1
25	MPA 01 041 040	turbine housing major 4s	1
26	MPA 01 041 230	protection blow chute major 4s	1
27	BB 221 104 100	pop plug alu 3.9x10 din 7337 a	10
28	BS 511 001 042	bolt m10x50 din 931	1
29	BB 011 000 200	starlock 20mm	2
30	BW 040 020 000	wheel 4.80-4	2
31	MPA 01 041 050	foot major 4s	1
32	BR 900 000 110	rubber socks dia 90x18mm	2
33	BR 021 150 250	cap pvc black 50x25	2
34	MPA 01 041 250	wheel shaft major 4s	1
35	BS 531 002 000	washer m20 din 125	2

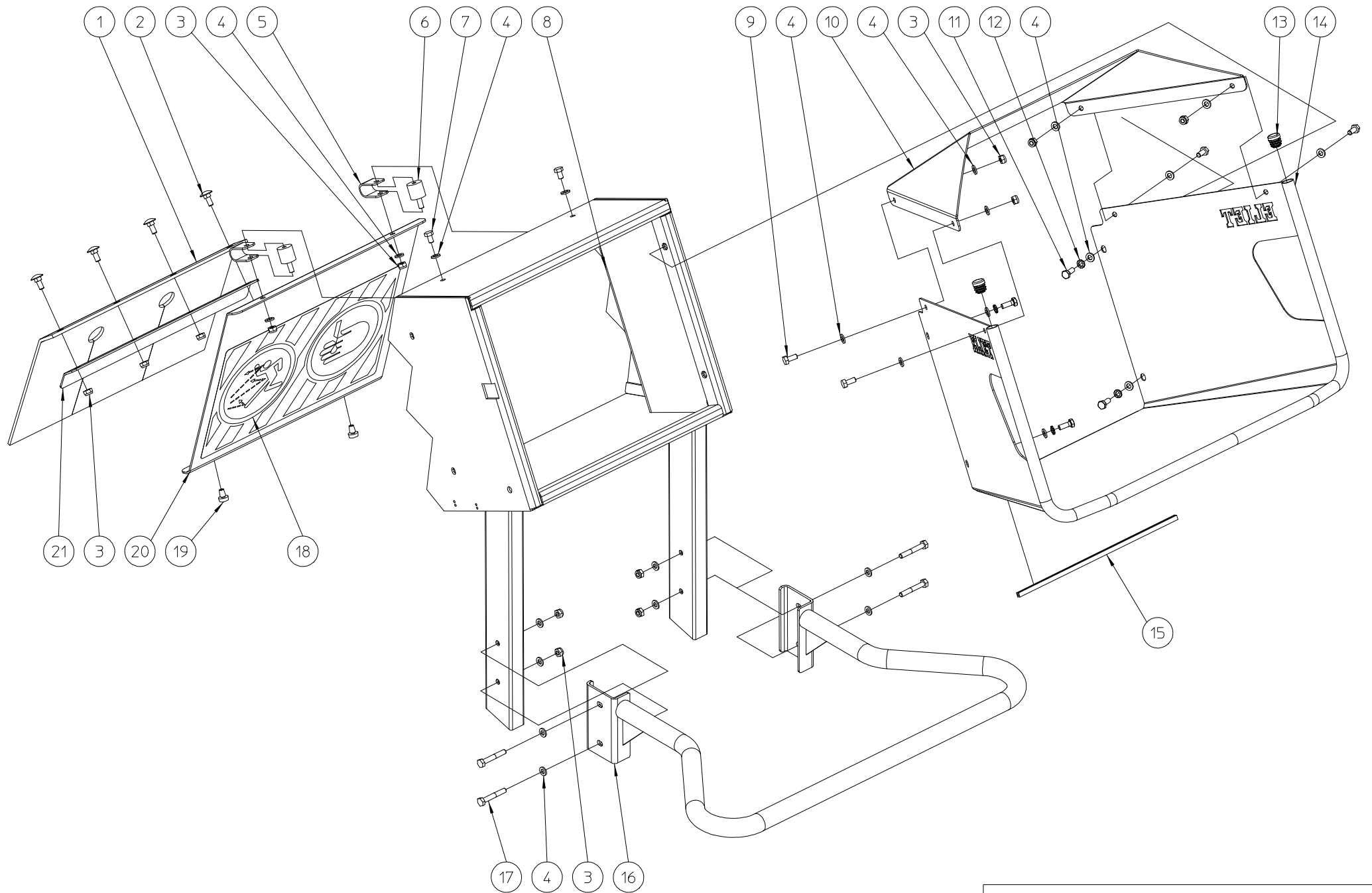


ELIET MAJOR 4S PTO -- TRANSMISSION

NO	MMA 01 041 420	REV	2	DATE	2014/01/30
----	----------------	-----	---	------	------------

#	Order nr	article description	quantity
1	BS 502 000 800	self locking nut m8 din 985	8
2	BS 531 000 800	washer m8 din 125	16
3	MPA 01 041 455	transmission guard (inside) major 4s pto	1
4	BS 532 008 254	washer m8x25x2	4
5	BS 512 000 820	bolt m8x20 din 933	6
6	BS 502 001 000	self locking nut m10 din 985	4
7	BS 531 001 000	washer m10 din 125	7
8	BS 512 000 825	bolt m8x25 din 933	4
9	MPA 01 040 325	lever	1
10	BV 912 000 020	spring idler return	1
11	BB 341 080 735	key 8x7x35 din 6880	1
12	BS 023 000 808	set screw m8x8 din 916	2
13	BA 565 707 132	pulley spa iii 71x25x8	1
14	MPA 01 041 440	flat support safety major 4s pto	1
15	BS 522 101 025	screw m8x60 din 7991	1
16	MPA 01 040 335	spacer	1
17	BA 521 216 000	belt xpa 1600	3
18	MPA 01 040 330	support lever	1
19	BV 912 000 010	recall spring	1
20	BS 511 001 043	bolt m10x55 din931	1
21	MPA 01 041 640	upper plate funnel	1
22	BR 000 910 600	rubber u-moulding 600mm	1
23	BS 502 000 600	self locking nut m6 din 985	1
24	BR 111 100 500	nylon bushing (10.3/15x5)	2
25	BV 904 000 010	compression spring Ø8.5x30mm fil Ø1mm	1
26	BR 500 103 800	rubber plug 42x38x1.6	1
27	BS 512 001 025	bolt m10x25 din 933	2
28	MPA 01 041 465	transmission guard (outside) major 4s pto	1
29	BQ 505 010 130	safety sticker 100x80 (belt transmission)	1
30	MPA 01 041 610	flap major 4s pto	1
31	BS 531 000 600	washer m6 din 125	5
32	BS 512 000 625	bolt m6x25 din 933	1
33	BS 554 100 625	bolt m6x25 din 603	1
34	MPA 01 041 475	lever to unblock major 4s pto	1
35	BN 630 206 000	lob knob 188-40 m6	1
36	BS 511 000 841	bolt m8x45 din 931	1
37	BS 501 000 800	nut m8 din 934	2
38	BS 023 000 844	set screw m8x60 din 916	1
39	BN 630 808 400	lob knob 188-40 m8	1
40	BQ 501 050 100	sticker 540rpm 100x61	1
41	BS 512 000 816	bolt m8x16 din 933	1
42	BQ 501 010 020	sticker eliet 130x60	1
43	BS 512 000 610	bolt m6x10 din 933	4
44	BS 522 100 516	screw m5x16 din 7991	4
45	MPA 01 040 340	closure plate	1
46	BB 001 000 350	retaining ring 35 din 471	1
47	BR 910 000 510	ertalon bushing safety	1
48	BV 901 000 070	compression spring gimbal safety	1
49	BB 501 316 320	setscrew 5/8"x1 1/4"	2
50	BB 501 173 500	taper lock tl 3020-35	1
51	BA 562 730 030	pulley spa iii 300 tl3020	1
52	BA 221 200 004	splined shafting - pto	1

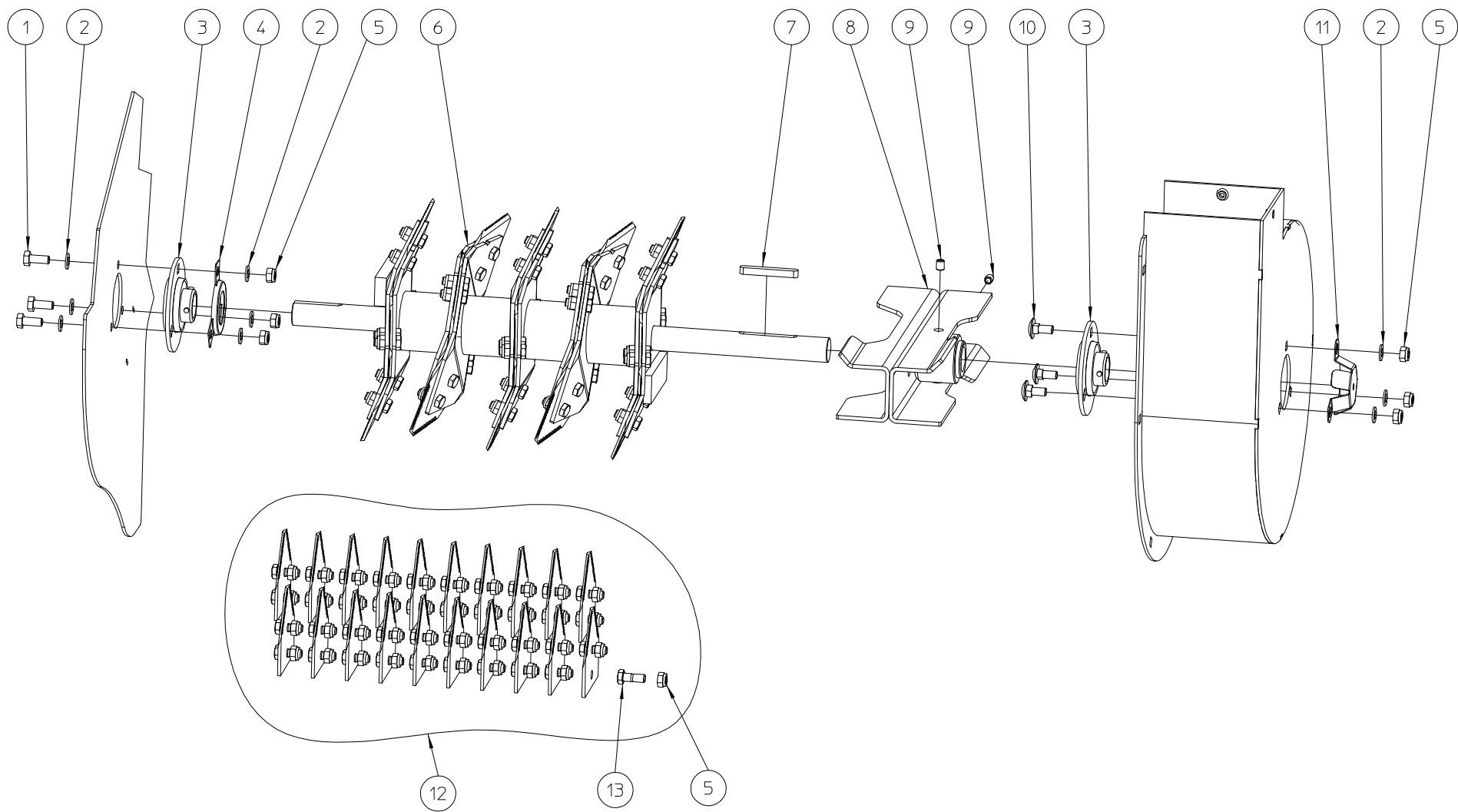
53	BB 341 100 850	key 10x8x50 din 6880	1
54	BY 100 106 100	grease fitting m6 din 71412	2
55	BS 551 001 254	eye bolt m12x140 din 444	2
56	BS 531 001 200	washer m12 din 125	8
57	BS 502 001 200	self locking nut m12 din 985	6
58	MPA 01 040 355	shaft support	2
59	BS 023 000 608	set screw m6x8 din 916	4
60	MPA 01 040 345	spacer	4
61	BL 782 103 507	bearing unit ntn ucp 207d1	2
62	MPA 01 040 350	bearing housing	2
63	BS 511 001 242	bolt m12x50 din 931	2
64	BS 511 001 244	bolt m12x60 din 931	2
65	BN 630 210 200	lob knob 189-50 m10x20	1
66	MPA 01 041 630	safety hook	1
67	BS 533 000 800	lock washer m8 din 127b	2



ELIET MAJOR 4S PTO -- FRONT SIDE

NO	MMA 01 041 430	REV	1	DATE	2014/01/24
----	----------------	-----	---	------	------------

#	Order nr	article description	quantity
1	BR 900 001 220	rubber anti projection flap	1
2	BS 554 100 616	bolt m6x16 din 603	4
3	BS 502 000 600	self locking nut m6 din 985	14
4	BS 531 000 600	washer m6 din 125	24
5	BR 910 000 020	retainer ertalon 80x20x2	2
6	BR 600 220 200	antivibration blocks 20x20b m6x15	2
7	BS 512 000 610	bolt m6x10 din 933	2
8	MPA 01 041 280	safety plate	2
9	BS 512 000 614	bolt m6x14 din 933	4
10	MPA 01 041 620	hopper top plate major 4s pto	1
11	BS 512 000 616	bolt m6x16 din 933	4
12	BS 534 000 600	lock washer m6 din 6798a	4
13	BR 020 501 160	tube plug 16 mm	2
14	MPA 01 041 150	hopper major 4s	1
15	BR 000 910 280	rubber u-moulding 280mm	1
16	MPA 01 040 021	handlebars - 2008	1
17	BS 511 000 640	bolt m6x40 din 931	4
18	BQ 505 010 090	safety sticker 310x200	1
19	BR 602 006 151	rubber bumper	2
20	MPA 01 041 220	anti projection shield major 4s	1
21	MPA 01 040 220	retainer for rubber rubber flap	1



ELIET MAJOR 4S -- ROTOR				
NO	MMA 01 041 130	REV	1	DATE 2016/03/08

#	Order nr	article description	quantity
1	BS 512 000 820	bolt m8x20 din 933	3
2	BS 531 000 800	washer m8 din 125	9
3	BL 801 502 500	bearing + flanges aspf 205	2
4	MPA 01 041 270	bearing protection cover pf205	1
5	BS 502 000 800	self locking nut m8 din 985	6
6	MPA 01 041 060	rotor major 4s	1
7	BB 351 080 760	key 8x7x60 din 6885a	1
8	MPA 01 041 070	propeller major 4s	1
9	BS 023 000 810	set screw m8x10 din 916	2
10	BS 554 100 820	bolt m8x20 din 603	3
11	MPA 01 041 260	bearing protection cover pf205 + shaft	1
12	BU 401 200 302	set of knives (20)	1
13	BS 011 000 822	bolt m8x22 din 931	0